

MI Wi Fi router NANO



Quick setup

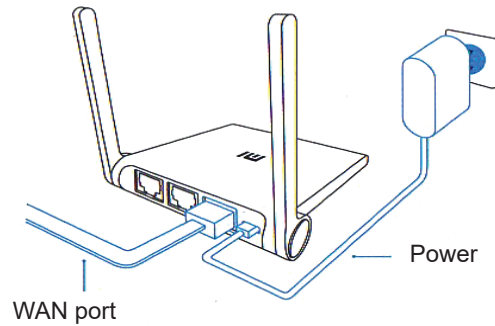
Thank you for choosing Mi Router Nano (hereinafter as Mi Router)

To start a new Smart life you need to do just 3 steps:

Plug in Power and Cable

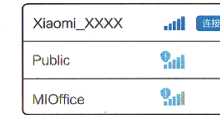
Connect the power adapter, then plug the external network cable into the appropriate socket of the router.

* Connect one end of the cable to the fiber / home gateway / adsl modem
If you are missing the above devices, connect the router to a home network cable.



Connecting to Wifi

Use your smartphone or computer to find and connect to a new network created Wifi Xiaomi _ xxxx.



* Skip this step if you connect the router to the computer via the network cable

* XXXX last 4 digit of the MAC-address of the router, check the confirmation at the bottom of the router.

Open a web browser or mobile application

For a successful authorization in Mi Wifi router, visit miwifi.com or specify the IP address of the modem 192.168.31.1, download the router application, you can also scan the QR-code.



Short specs



Ultra small router with a strong signal. PBC External antenna support functions «through walls».



2.4G wireless network, a stable signal Support 802.11b / g / n, support for almost all devices with the wireless network, the maximum speed of up to 300Mbps.

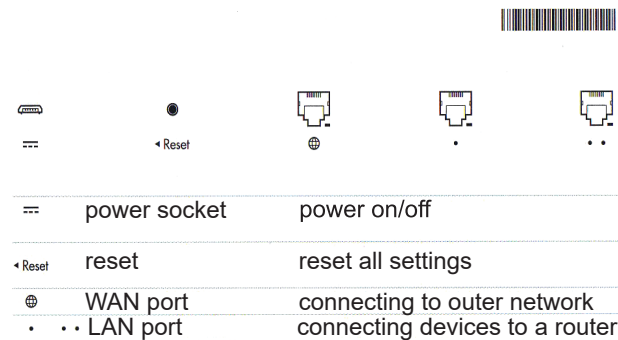


Multi-Tool, easy to use, fun entertainment. Broadband acceleration, TGP games acceleration, acceleration of the game Jian Wang 3, protection against malicious websites.



Smart system, constant updating. Have a router MiWifi Smart system, constant updating and optimization of the system, even greater security router.

Plugs and buttons



Do not use third-party adapters.

Under normal operating condition, press and hold the reset button for 5 seconds. Reset hole on the left side of the router near the directional arrows.

Indicators



Dim color: off or no power



Yellow: power on / off



Blue: during normal operation



Red: in case of problems with the operation of the device (see item «Frequently Asked Questions»)